

MaxMotion

PERFORMANCE DATA SHEET

Meets or exceeds MEPS (Minimum Efficiency Performance Standards), as described by the US Department of Energy in docket 10CFR431 and Natural Resources Canada's Amendment 14

Catalogue #: **MDRP-106CW**

HP	kW	Voltage	S.F. @ 60Hz	EFF.	P.F.	Frame	Design	L.R. Amps
1	0,75	208 / 416	1,15	82,5%	0,578	56HC	B	15

60 Hz								Code	F.L. RPM
FLA									
208	230	416	460	480	575	600			
4,34	/	2,17	/	/	/	/	L	1150	

50 Hz								
HP	kW	FLA		S.F. @ 50Hz	Efficiency	P.F.	Code	F.L. RPM
		190	380					
0,75	0,5595	4	2	1,15	0,8	0,531	L	950

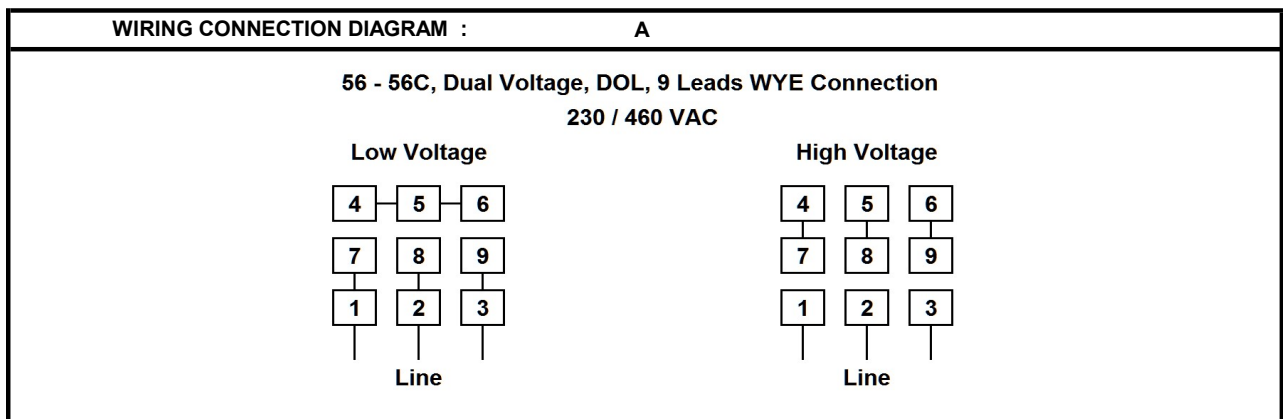
Wgt. Lbs	PH	Duty	Insul. Class	Amb.	Elevation	Temp. Rise° C
28,00	3	Cont.	F	40°C	1000M (3300 Ft)	55

% Efficiency		% Power Factor		Torque		Winding Resist. Ω	Safe Cold Start (Secs)
Full Load:	82,5%	Full Load:	0,58	Full Load Ft/Lbs	4,6		
3/4 Load:	74,5%	3/4 Load:	0,52	Locked Rotor %	210		
1/2 Load:	61,7%	1/2 Load:	0,46	Break Down %	320	/	12

Rotor Inertia Wk2 Lb-Ft2	Max Load Inertia Wk2 Lb-Ft2	Shaft Material	Frame Material	DE Bracket Type	ODE Bracket Type	Enclosure	NEMA Rating	Lead Wire Size
/	/	Steel	Rolled Steel	Aluminium Alloy		TEFC	IP55	16AWG

Ball Bearings		Grease	Mount Type	Orientation	Paint	Sound Pressure @ 3FT	Sound Power
DE	ODE						
6205	6203	Sealed Bearings	Rigid	Horizontal	Black	/	/

Inverter Duty. Motor meets MG1 parts 31.4.4.2	Constant Torque Range	Variable Torque Range	Constant HP RPM
		10:1	20:1



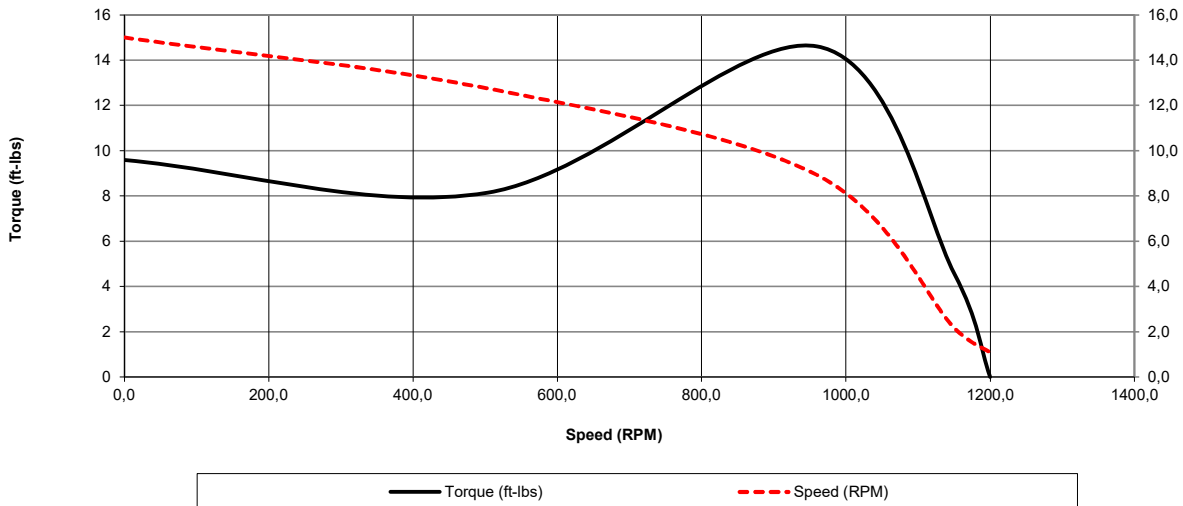
Date: 2024-10-23
 Customer: _____
 Contact: _____
 Submittee: J.C. Lavallée

Catalogue #: **MDRP-106CW**

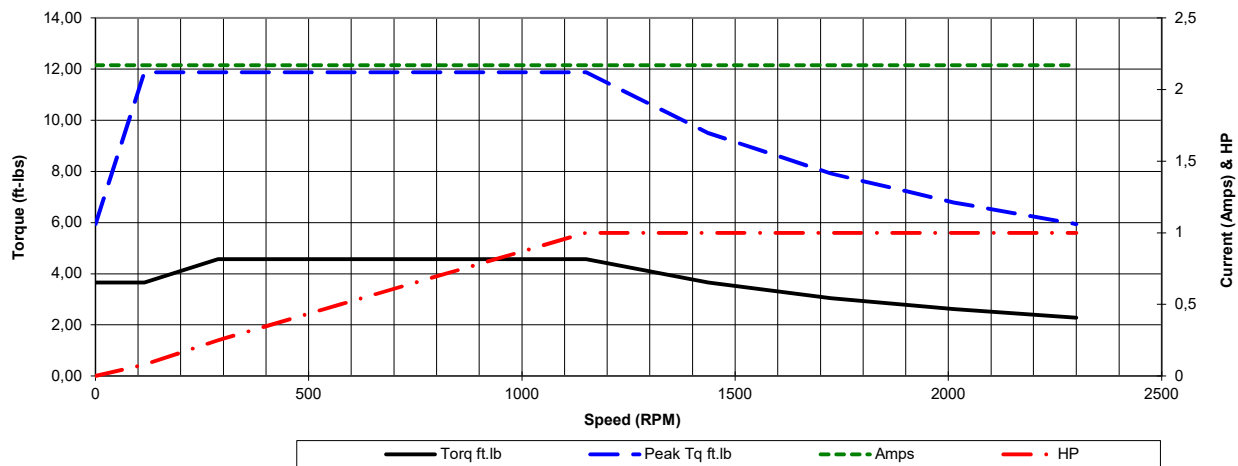
Meets or exceeds MEPS (Minimum Efficiency Performance Standards), as described by the US Department of Energy in docket 10CFR431 and Natural Resources Canada's Amendment 14

HP	VAC	RPM	Enclosure	Frame	Frequency	Design	Poles	LR Code Letter	Insulation Class	Temp. Rise °C
1	416	1150	TEFC	56HC	60	B	6	L	F	55
	0Hz	6Hz	15Hz	30Hz	45Hz	60Hz	75Hz	90Hz	105Hz	120Hz
Amps	2,17	2,17	2,17	2,17	2,17	2,17	2,17	2,17	2,17	2,17
RPM	0	115	287,5	575	862,5	1150	1437,5	1725	2012,5	2300
Torq ft.lb	3,65	3,65	4,57	4,57	4,57	4,57	3,65	3,04	2,61	2,28
Peak Tq ft.lb	5,94	11,87	11,87	11,87	11,87	11,87	9,50	7,92	6,79	5,94
HP	0	0,1	0,3	0,5	0,8	1,0	1,0	1,0	1,0	1,0
	Locked Rotor	Pull-Up	Breakdown	Rated Load	Idle	Duty	S. F.	Ambient	Elevation	dBa @ 1M
Speed (RPM)	0,0	504	960	1150	1200	Continuous	1,15	40°C	3,300 ft	/
Current (Amps)	15,0	12,8	8,9	2,2	1,1	VFD Rating: Meets MG1 parts 31.4.4.2				
Torque (ft-lbs)	9,6	8,2	14,6	4,6	0,0	C.T.	10:1	V.T.	20:1	

Motor Speed Data



Motor Torque Capability vs RPM



Date: 2024-10-23
 Customer: _____
 Contact: _____
 Submittee: J.C. Lavallée

Catalogue #: **MDRP-106CW**

Meets or exceeds MEPS (Minimum Efficiency Performance Standards), as described by the US Department of Energy in docket 10CFR431 and Natural Resources Canada's Amendment 14										
HP	VAC	RPM	Enclosure	Frame	Frequency	Design	Poles	LR Code Letter	Insulation Class	Temp. Rise °C
1	416	1150	TEFC	56HC	60	B	6	L	F	55

Load %	0%	25%	50%	75%	100%	125%	150%
Amps	1,09	1,65	1,76	1,91	2,17	2,71	3,26
Torq ft/lbs	0	1,11	2,23	3,39	4,57	5,77	7,00
RPM	0	1187,5	1175	1162,5	1150	1137,5	1125
Eff	0	63,15	63,62	78,20	82,50	80,93	78,62
PF	0	24,9	46,24	52	57,8	59,0	60,7

	Locked Rotor	Pull-Up	Breakdown	Rated Load	Idle	Duty	S. F.	Ambient	Elevation	dBa @ 1M
Speed (RPM)	0	504	960	1150	1200	Continuous	1,15	40°C	3,300 ft	/
Current (Amps)	15	12,8	8,9	2,17	1,085	VFD Rating: Meets MG1 parts 31.4.4.2				
Torque (ft-lbs)	9,59	8,15	14,61	4,57	0,0	C.T.	10:1	V.T.	20:1	

